

PixelPro Network Camera 12 Megapixel Fisheye




GANZ
PixelPro

Features:


- 12 megapixel resolution
- 1.2mm computar lens
- True WDR (Wide Dynamic Range)
- True Day/Night performance
- Smart IR LEDs
- 180° / 360°
- Triple power (12VDC / 24VAC / PoE)
- External alarm / audio I/O

GANZ® SPECIFICATIONS

SPECIFICATION

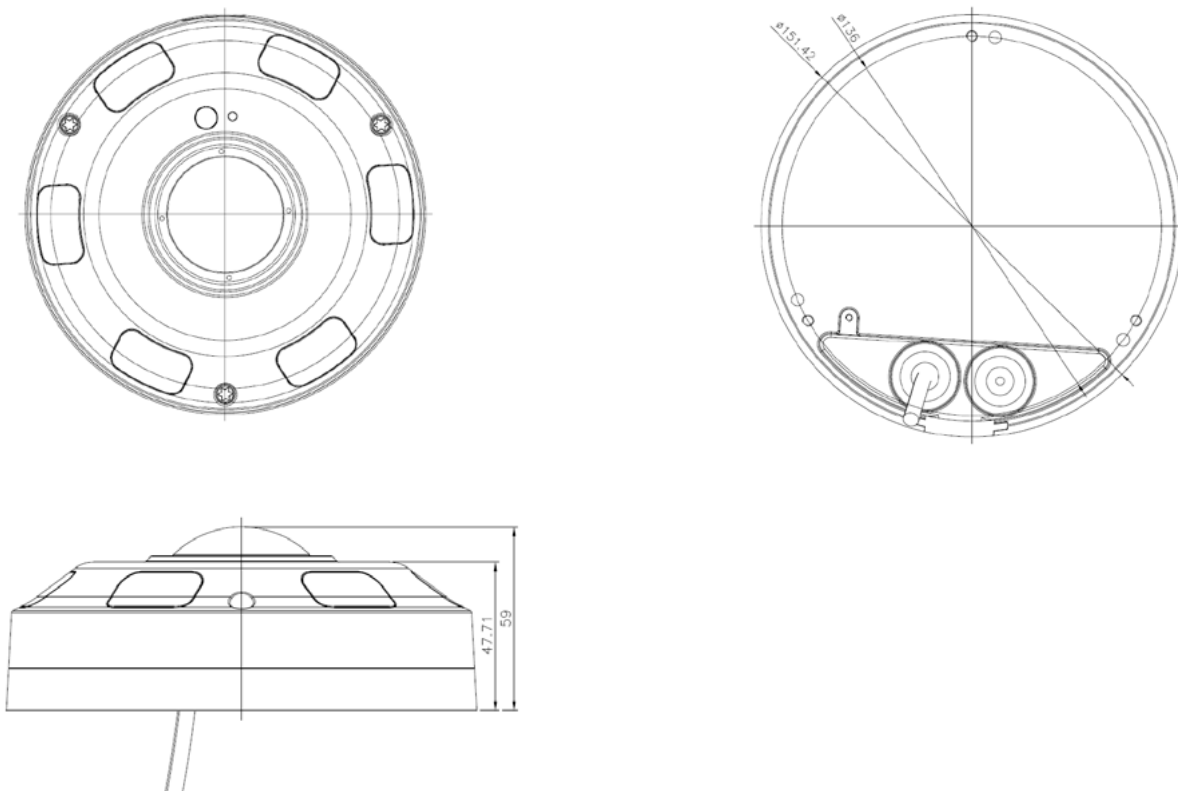
Model	ZN-F12F12-NL
	
Image Sensor	1/1.7" Progressive Scan CMOS (IMX226)
Effective Pixels (sensor spec)	4120x3036
Scanning System	Progressive
Electronic Shutter Speed	Auto/Manual, 1/4 ~ 1/10000s
Minimum Illumination	0.1Lx/F1.2 at color
S/N Ratio	More than 50dB
IR Distance	Up to 12m, Smart IR
IR On/Off Control	yes, user-selectable sensitivity
IR LEDs	6ea
Lens Type	(immersion) Fixed Lens f=1.2, F=2.2
Iris	Fixed Iris
Angle of View	180° x 360°
Optical Zoom	N/A
Focus Control	Factory Adjusted
Close Focus Distance	0.5m
Compression Format	H.265/H.264/JPEG
Streaming Capability	Triple Streaming (2 x H.264/H.265 + 1 x Jpeg)
Triple Streaming	Main Stream: 3000x3000 / 2048x2048 / 1280x1280 / 640x640 / 320x320 Second Stream : 640x640 / 320x320 Third Stream : 640x640 / 320x320
Max Resolution and Frame Rate	3000x3000 25fps
Bit Rate Control	CBR/VBR/VBR+
Bit Rate	H.264: 512~ 15000Kbps H.265: 512~ 15000Kbps
Day/Night	Auto(ICR) / Color / B/W / Schedule
Mode	BLC / HLC / TWDR
White Balance	ATW / Manual
Gain Control	Auto
Noise Reduction	3D DNR
Motion Detection	On / Off (4 Area, Rectangle)
Region of Interest	Auto/Manual(8 Zone)
Flip Horizontal	On / Off
Flip Vertical	On / Off
Privacy Masking	On / Off (4 Area, Rectangle)
Audio Compression Format	G.711
Ethernet	RJ-45 (10/100Base-T)
Protocol	IPv4, IGMP, ICMP, ARP, TCP, UDP, DHCP, RTP, RTSP, RTCP, DNS, DDNS, NTP, FTP, UPnP, HTTP, HTTPS, SMTP, 802.1x
SDK	HTTP based API, Onvif Profile S
Streaming Method	Unicast / Multicast
Max. User Access	10 Users
Edge Storage	Mirco SD card (Up to 2TB)
Web Viewer	Internet Explore, Chrome, Firefox, Safari
Smart Phone	IOS, Android

SPECIFICATION

Model	ZN-F12F12-NL
	
Certifications	FCC, CE
Audio I/O	Input 1ea / Output 1ea
Alarm I/O	Input 1ea / Output 1ea
Analog Video Out	CVBS support
RS485	1x RS-485 (half duplex)
Power Supply	DC12V, AC24V, PoE
Other Power	dc12v out
Power Consumption	<13W
Operating Conditions	-10° C ~ +50° C / Less than 95% RH
Ingress Protection	IP66
Vandal Resistance	IK09
Housing	Aluminum diecasting
Dimensions	151.4(Φ)×59(H)
Net Weight	0.7kg
Gross Weight	0.85kg
Video Analytics	Option, License Base

DIMENSIONS (Unit:mm)

Camera Unit [ZN-F12F12-NL]



COMPATIBLE WITH:

Check our website or contact customer service for most updated information.



Subject to technical changes and errors. 112018 v1.7

CBC (Europe) GmbH
Fritz-Vomfelde-Str. 6
D-40547 Düsseldorf
T: +49-(0)211 53 06 70
F: +49-(0)211 53 06 71 80
info@cbc-europe.com
www.cbc-europe.com

CBC (Poland) Sp.z.o.o
Oddział w Warszawie
ul. Anny German 12
PL-01-794 Warsaw
T: +48-(0)22 6 33 90 90
F: +48-(0)22 6 33 90 60
info@cbcpoland.pl
www.cbcpoland.pl

CBC Russia Moscow Rep. office
Office 503B World Trade Center
12 Krasnopresnenskaya nab.
RU-123610 Moscow
T: +7-495 258 2161
F: +7-495 258 2160
info@cbc.ru
www.cbc.ru

CBC EUROPE S.r.l.
Via Umberto I, 69
I-20814 VAREDO (MB)
T: +39-0362 36 50 79
F: +39-0362 4 00 12
info@cbceurope.it
www.cbceurope.it

CBC (EUROPE) GmbH UK Branch
Churchill House, Suite 81
137-139 Brent Street
London NW4 4DJ UK
T: +44-(0)20 8457 2618
info@cbcuk.com
www.cbc-europe.com