

## Ganz Genstar IP Thermal / Optical



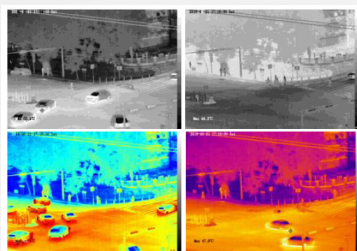
Main Camera



Body Temperature Detection Box

- Uncooled IRFPA Microbolometer
- Effective Pixels 400×300
- Sensitivity 40mK
- Thermal: 8mm Fixed lens, Visible: 2.7 - 12mm motorized lens
- Accuracy  $\leq 0.3^{\circ}\text{C}$
- Support Body detection, up to 16 Targets
- Response Time 30ms
- Support 17 color control

Image Color Modes:



Smart Body Detection:



IVS Security:





# Ganz Genstar IP Thermal / Optical



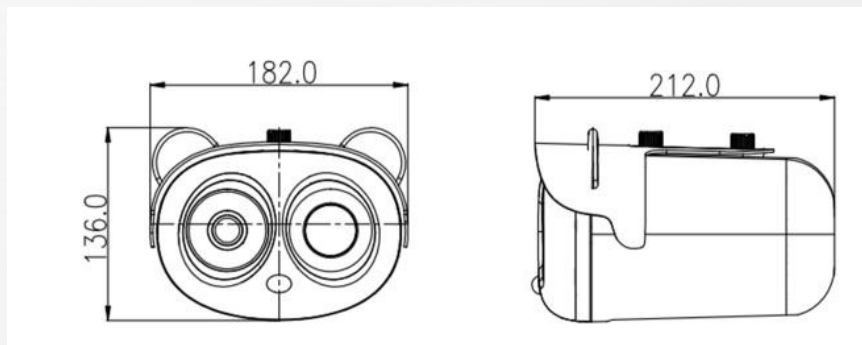
Technical specifications	ZNT8-B0F8-TASX4-XT
Digital Zoom	16x
Mirror	Yes
Defog	Yes
Motion Detection	Yes
Privacy Masking	Off / On (4 Area, Rectangle)
DVE Image Enhance	Yes
Audio Compression	G.711, AMR, RAW_PCM (Optional)
Smart Alarm	Motion detection, Disk alarm, I/O alarm, Temperature alarm, Temperature warning
IVS	Smart Body Detection, Perimeter, Single Virtual Fences, Double Virtual Fences Object Left, Object Removed
Detection Mode	Body temperature monitoring
Detection Preset	Max 16
Temperature Alarm	Over temperature alarm, Temperature difference alarm
Accuracy	≤ 0.3 °C (Emission rate, distance, ambient temperature, etc.)
Response Time	≤30ms
Theory of Temperature measurement range	-20 °C ~ 60 °C (-4°F ~ 140°F)
Temperature display mode	Temperature target >5°C, Display absolute temperature value; Temperature target ≤5°C Display relative temperature value (temperature difference DEV = highest value - average)
Ethernet	RJ-45 (10/100Base-T)
Protocols	IPv4/IPv6, HTTP, RTSP/RTP/RTCP, TCP/UDP, DHCP, DNS, PPPOE, SMTP, SIP, 802.1x
Interoperability	ONVIF, CGI
Streaming Method	Unicast
Max. User Access	10 Users
Edge Storage	NAS, Local PC for instant recording, Micro SD card 128GB
Web Viewer	<IE11, Firefox, Chrome
Web Language	English, Chinese, Polish, Italian, Portuguese, Spanish, Russian, French, Czech, Hungarian
Ethernet	1 Ethernet (10/100 Base-T) RJ-45 Connector
Audio Interface	1ch Audio In, 1ch Audio Out
Alarm	2ch Alarm In, 2ch Alarm Out
RS485	Yes
BNC Output	-
Reset Button	Yes (built-in)

# Ganz Genstar IP Thermal / Optical

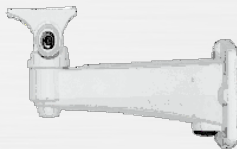


Technical specifications	ZNT8-B0F8-TASX4-XT
Power Supply	DC12V / POE
Power Consumption	Max. 10W
Operating Temperature	-30 °C ~ 60 °C (-22°F ~ 140 °F)
Storage Conditions	0 ~ 90% RH
Certifications	CE / FCC
Ingress Protection	IP66
Casing	Metal
Dimensions	212 × 182 × 136mm
Net Weight	2kg

## Dimensions



## Accessory



ZA8-CBK346



ZA8-CBK350  
For Camera



ZA8-CBK350A  
For Body Temperature Detection Box